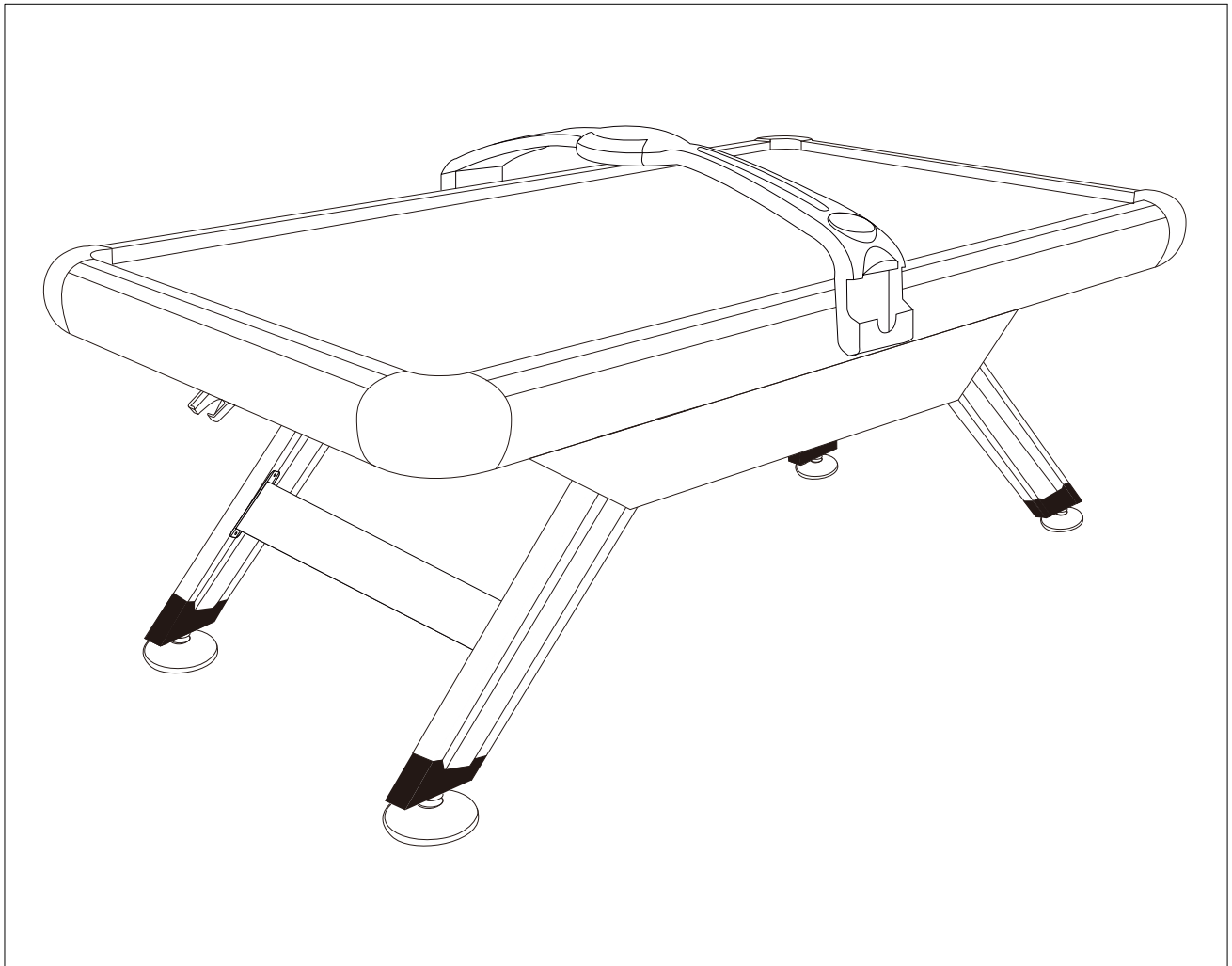




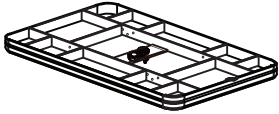
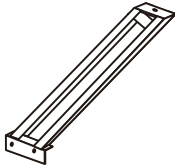
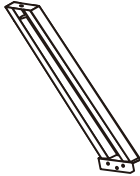



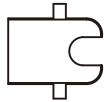



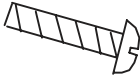

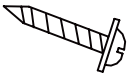
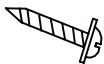









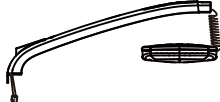
# Buffalo Airhockey Glider










Item-No: 6011.012

# Parts List

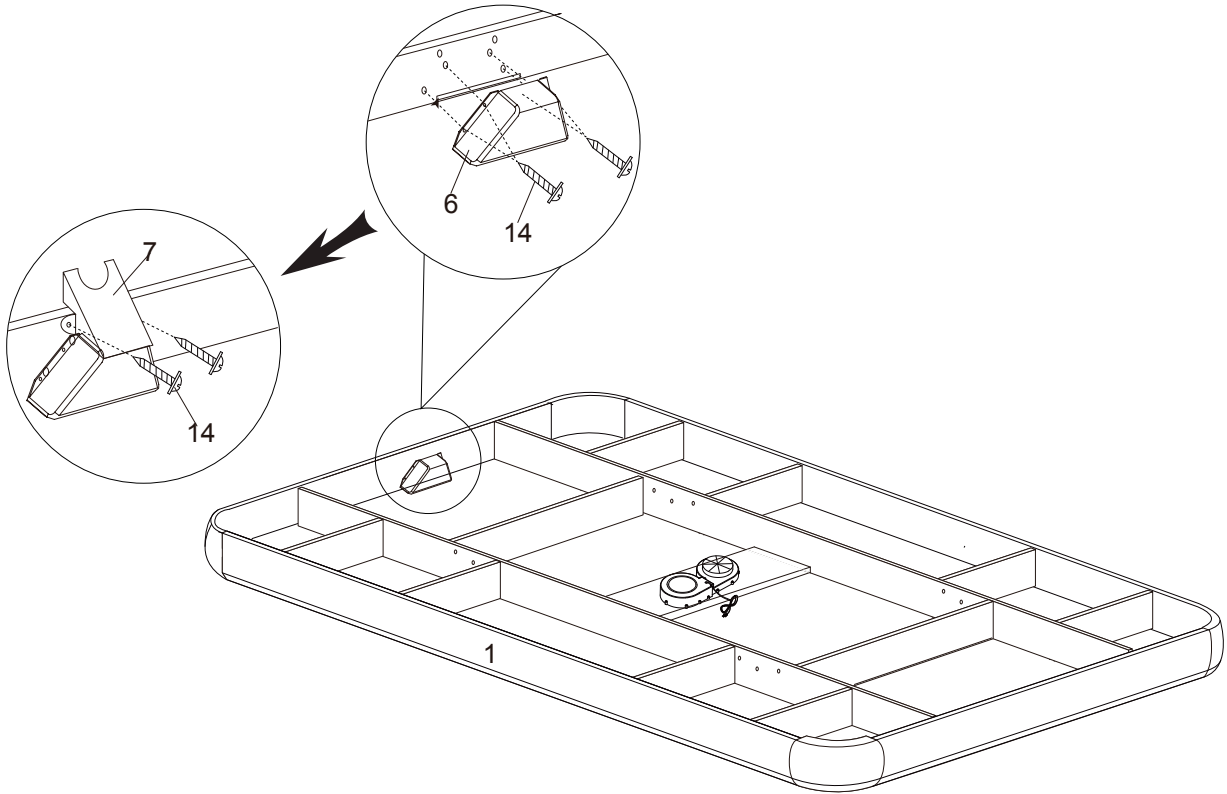


<p>#1</p>  <p>Main Frame 1 piece</p>	<p>#2</p>  <p>Leg A 2 pieces</p>	<p>#3</p>  <p>Leg B 2 pieces</p>	<p>#4</p>  <p>End Leg Panel 2 pieces</p>
<p>#5</p>  <p>Side Leg Panel 2 pieces</p>	<p>#6</p>  <p>Goal Box-A 2 pieces</p>	<p>#7</p>  <p>Puck Collection 2 pieces</p>	<p>#8</p>  <p>Leg Leveler 4 pieces</p>
<p>#9</p>  <p>5/16" X1-1/2" Bolt 12 pieces</p>	<p>#10</p>  <p>1/4" X2-3/4" Bolt 8 pieces</p>	<p>#11</p>  <p>P3.5X19mm Screw 8 pieces</p>	<p>#12</p>  <p>1/4" Lock Nut 12 pieces</p>
<p>#13</p>  <p>T4X32mm Screw 12 pieces</p>	<p>#14</p>  <p>T4X12mm Screw 20 pieces</p>	<p>#15</p>  <p>1/4" Spring 12 pieces</p>	<p>#16</p>  <p>5/16" Spring 12 pieces</p>
<p>#17</p>  <p>1/4" X3" Bolt 4 pieces</p>	<p>#18</p>  <p>1/4" Washer 12 pieces</p>	<p>#19</p>  <p>F4X32mm Screw 4 pieces</p>	<p>#20</p>  <p>Felt Pad 4 pieces</p>
<p>#21</p>  <p>Puck 4 pieces</p>	<p>#22</p>  <p>Electronic Scorer-A 1 piece</p>	<p>#23</p>  <p>Electronic Scorer-B 2 pieces</p>	<p>#24</p>  <p>Electronic Scorer-C 1 piece</p>

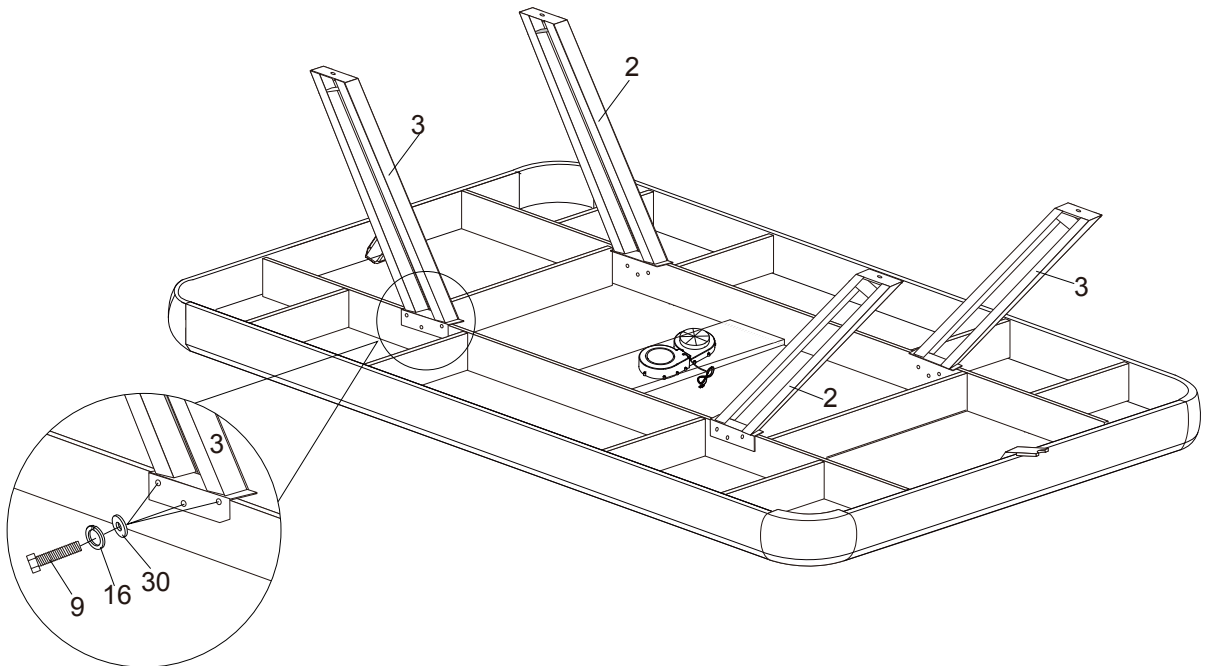


<p>#25</p>  <p>Adapter 1 piece</p>	<p>#26</p>  <p>Wrench-A 1 piece</p>	<p>#27</p>  <p>Pusher 4 pieces</p>	<p>#28</p>  <p>Wrench-B 1 piece</p>
<p>#29</p>  <p>Screw Cap 4 pieces</p>	<p>#30</p>  <p>5/16" Washer 12 pieces</p>	<p>#31</p>  <p>Leg Cap 4 pieces</p>	

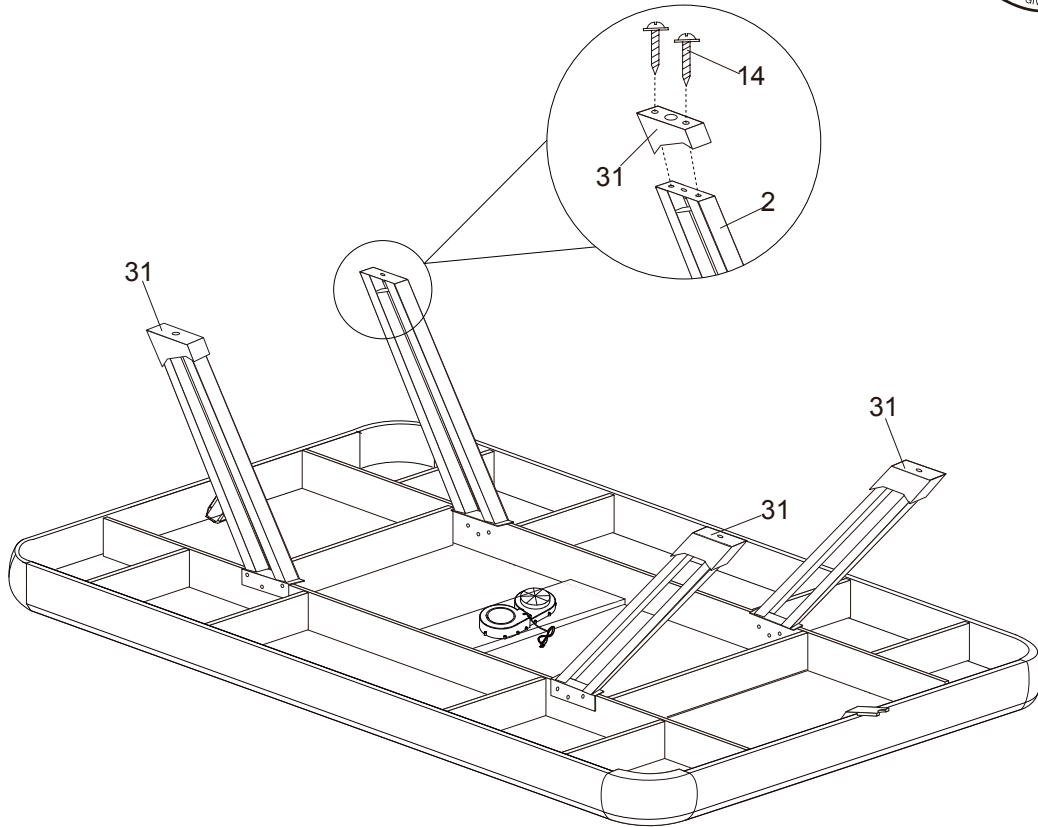
Step: 1



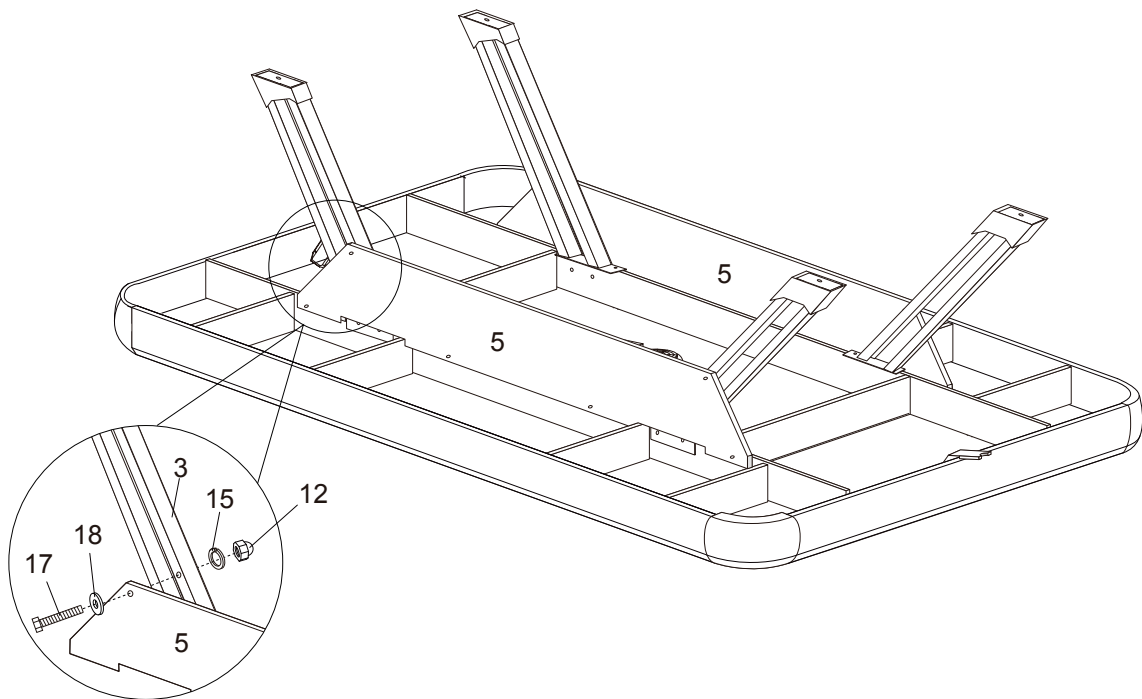
Step: 2



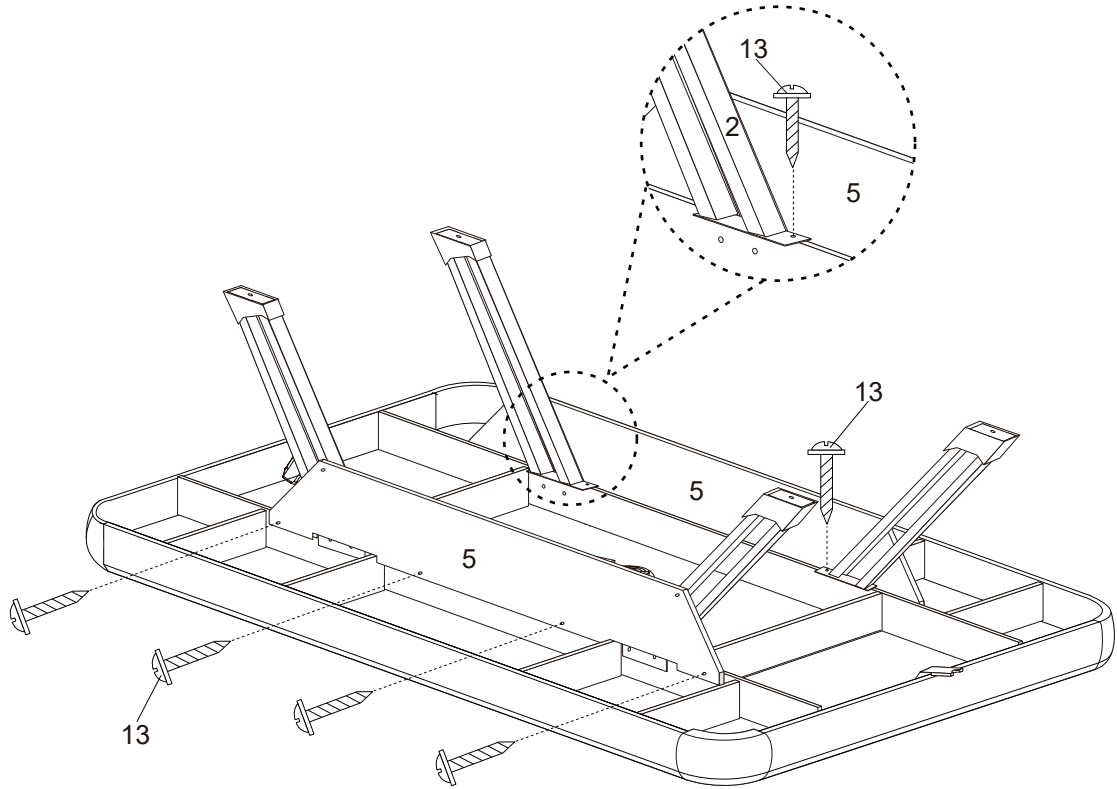
Step: 2



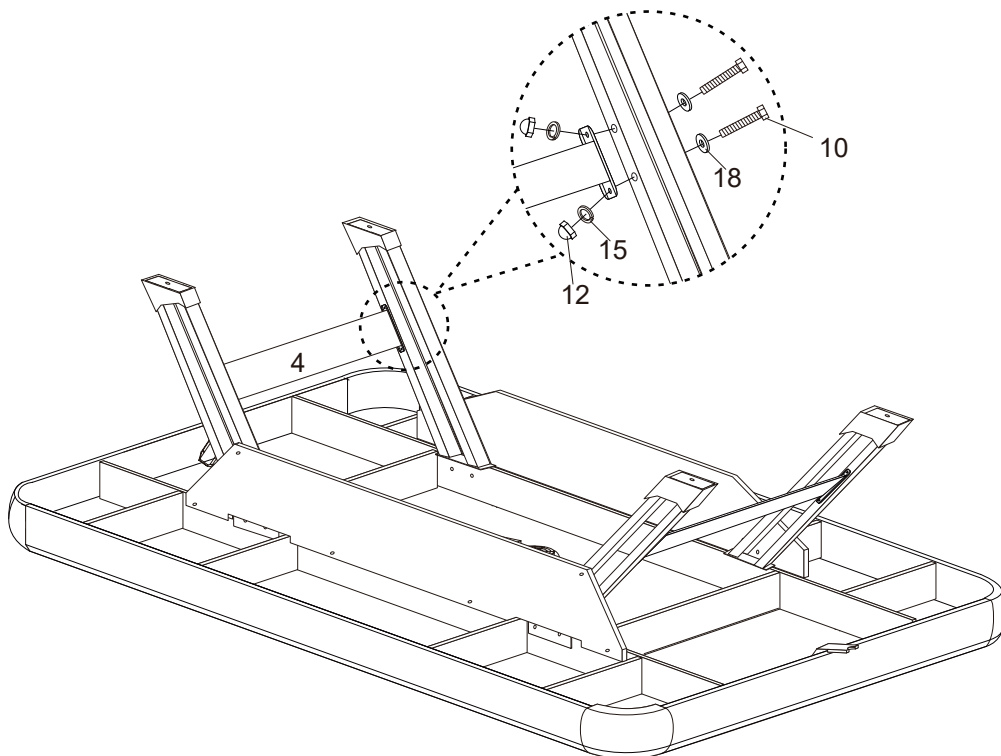
Step: 3



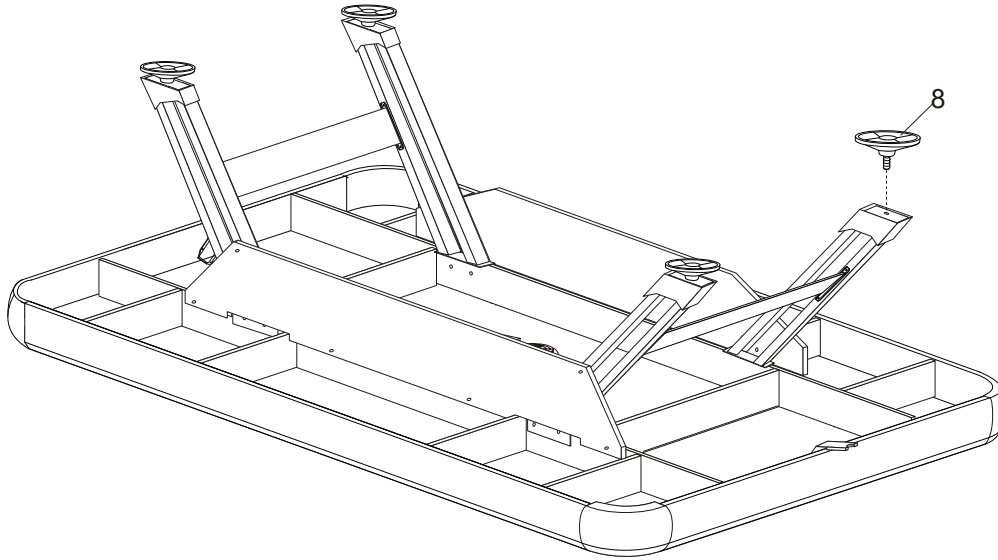
Step: 4



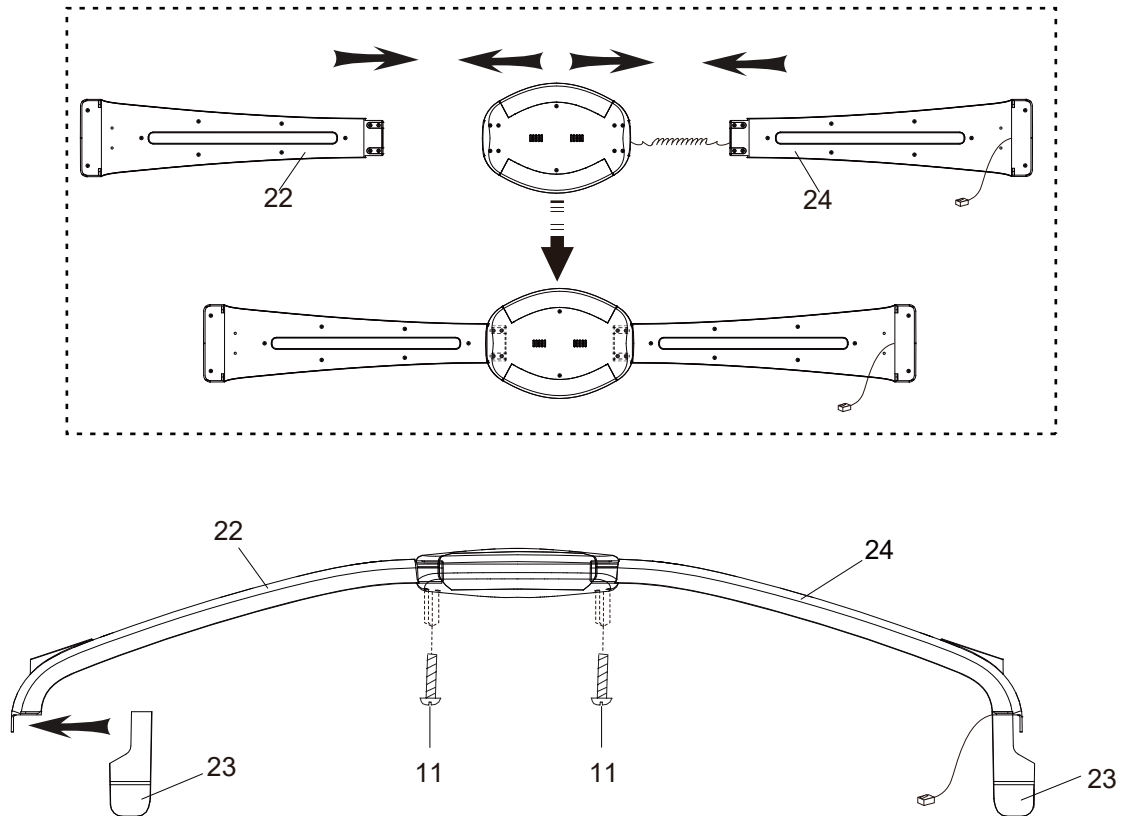
Step: 5



Step: 6



Step: 7



Step: 8

